

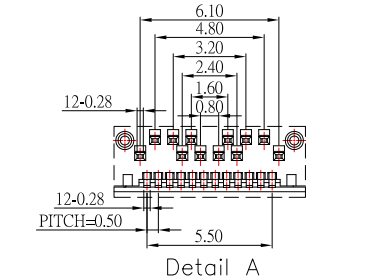
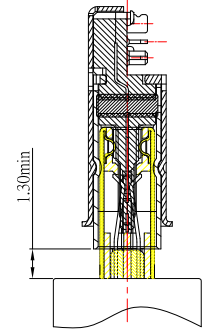
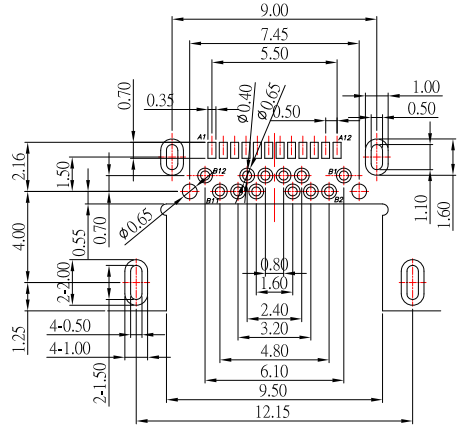
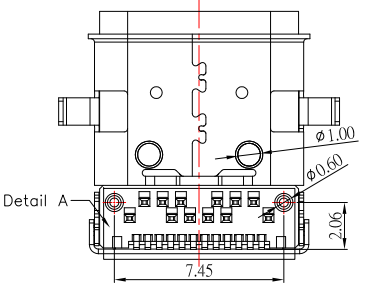
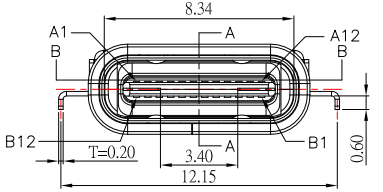
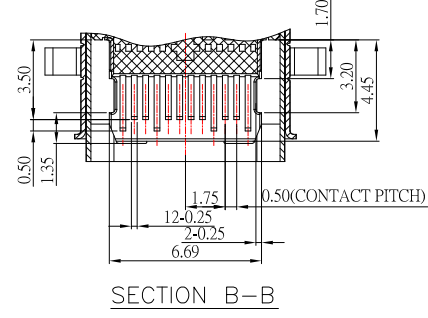
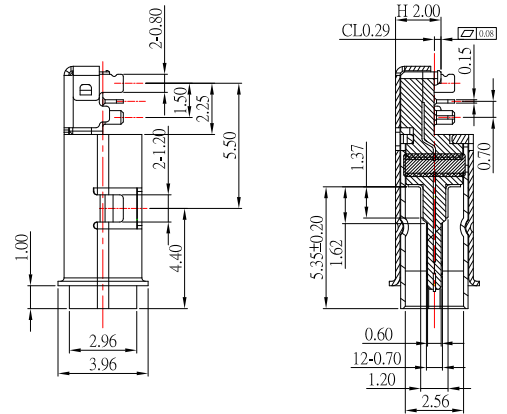
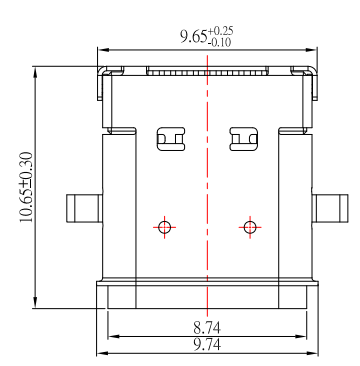
IPX7



SBC-WP240M2-31x-S382

鍍層厚度:

Blank : 1u"
2 : 15u"
3 : 30u"



P.C.B LAYOUT MOUNTING PATTERN

Pin	Signal Name	Mating Sequence	Pin	Signal Name	Mating Sequence
A1	GND	First	B12	GND	First
A2	SSTXp1	Second	B11	SSRXp1	Second
A3	SSTXn1	Second	B10	SSRXn1	Second
A4	V _{BUS}	First	B9	V _{BUS}	First
A5	CC1	Second	B8	SBU2	Second
A6	Dp1	Second	B7	Dn2	Second
A7	Dn1	Second	B6	Dp2	Second
A8	SBU1	Second	B5	CC2	Second
A9	V _{BUS}	First	B4	V _{BUS}	First
A10	SSRXn2	Second	B3	SSTXn2	Second
A11	SSRXp2	Second	B2	SSTXp2	Second
A12	GND	First	B1	GND	First
SHELL	GND		SHELL	GND	

SPECIFICATIONS

- Electrical:**
- Rating: 5.0A(VBUS), 1.25A(Vconn Pin)
 - Contact Resistance: 40 mΩ Max
 - Insulation Resistance: 100 MΩ Min
 - Dielectric Withstanding Voltage: 100V AC
- Mechanical:**

- Connector Mate and Unmate Force
 - Mate force: 5~20 N
 - Unmate force: 8~20 N

Material:

- Housing: LCP
- Contact: C18400
- Inner Shell: 17-4PH
- Outside Shell: SUS

Finish:

- Contact: Plated Gold in Mating Area ;
Tin Plated on Solder Balls ;
Nickel under plated overall
- Shell: Nickel under Plated surface layer

ITEM NO.	DESCRIPTION	DRAWN	DATE
5	更新樣式	Jack	033023
4	更新樣式	Jack	032023
3	更新材質	Jack	031723
2	新增防水膠圈料號	Jack	060321
1	新增IPX7標示	Jack	030618

CONTACT 建倚科技股份有限公司
CONTACT TECHNOLOGY CORP.

TOLERANCE UNLESS OTHERWISE STATED:

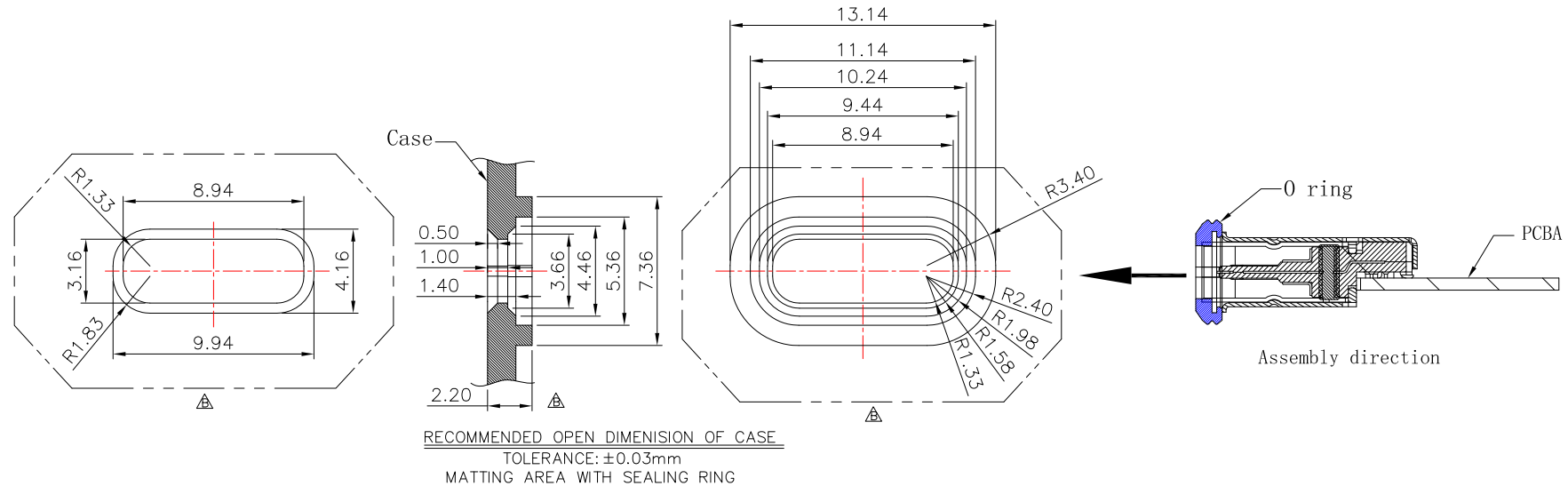
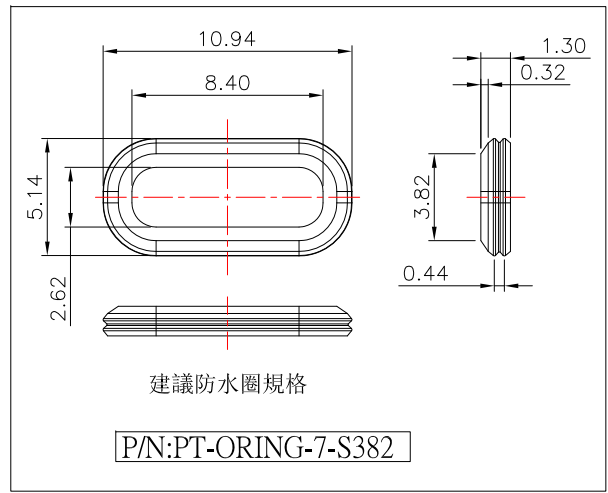
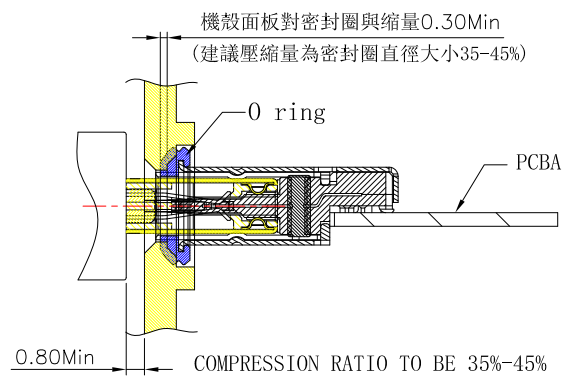
Up to 5	±0.2
Above 5 ~ 15	±0.3
Above 15 ~ 30	±0.4
Above 30 ~ 50	±0.5
Angle	±0.3°

3RD. ANGEL'S

UNITS: MM

DRAWN BY:	DATE	MAT'L	TITLE	CONNECTOR
Jack Lu	03/30/23			
CHECKED BY:	DATE	FINISH	MODLE	USB 3.1 TYPE C 沉板式防水型 IPX7
Jacky Chen	03/30/23			
APPROVED BY:	DATE	SCALE	DWG NO.	SBC-WP240M2-31x-S382
Tony Kao	03/30/23	1 : 1		
		SHEET NO.	PART NO.	SBC-WP240M2-31x-S382
		1 of 2		
			SIZE	A4
			VER	R5

IPX7



5	更新樣式	Jack	033023
4	更新樣式	Jack	032023
3	更新材質	Jack	031723
2	新增防水膠圈料號	Jack	060321
1	新增IPX7標示	Jack	030618
ITEM NO.	DESCRIPTION	DRAWN	DATE

CONTACT 建倚科技股份有限公司
CONTACT TECHNOLOGY CORP.

TOLERANCE UNLESS OTHERWISE STATED:	Up to 5 ± 0.2	3RD. ANGEL'S	UNITS	MM
	Above 5 ~ 15 ± 0.3			
	Above 15 ~ 30 ± 0.4			
	Above 30 ~ 50 ± 0.5			
	Angle $\pm 0.3^\circ$			

DRAWN BY:	DATE	MATL	TITLE	CONNECTOR
Jack Lu	03/30/23		MODLE	USB 3.1 TYPE C 沉板式防水型 IPX7
CHECKED BY:	DATE	FINISH	DWG NO.	SBC-WP240M2-31x-S382
Jacky Chen	03/30/23	SCALE	1 : 1	PART NO. SBC-WP240M2-31x-S382
APPROVED BY:	DATE	SHEET NO.	2 of 2	SIZE A4
Tony Kao	03/30/23			VER R4